



DELTA GUARD™



DeltaValve™

DELTAVALVE IS A DIVISION OF CURTISS-WRIGHT FLOW CONTROL CORPORATION



DeltaValve™

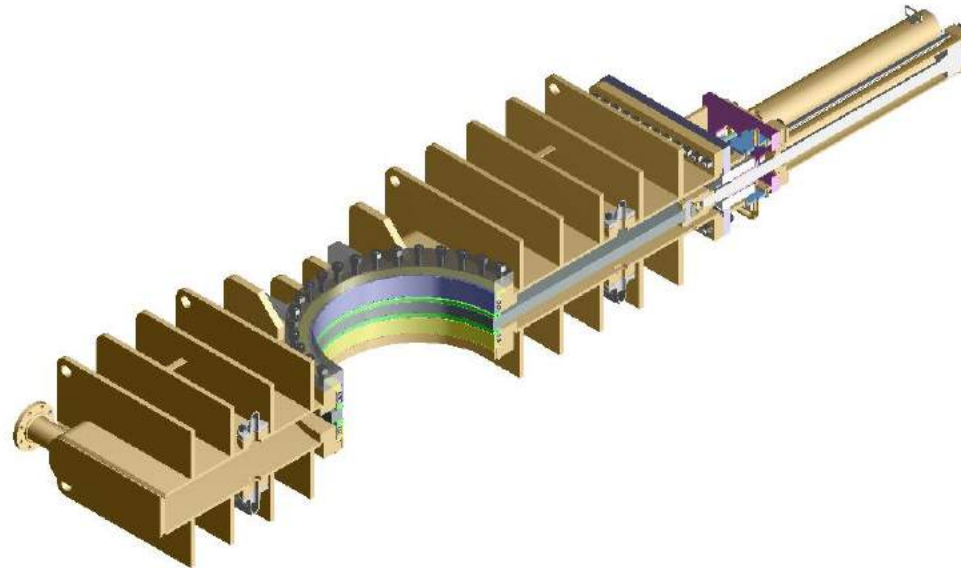
RAISING THE STANDARD IN PLANT PERFORMANCE





DELTAVALVE IS A DIVISION OF CURTISS-WRIGHT FLOW CONTROL CORPORATION

Top Unheading Device



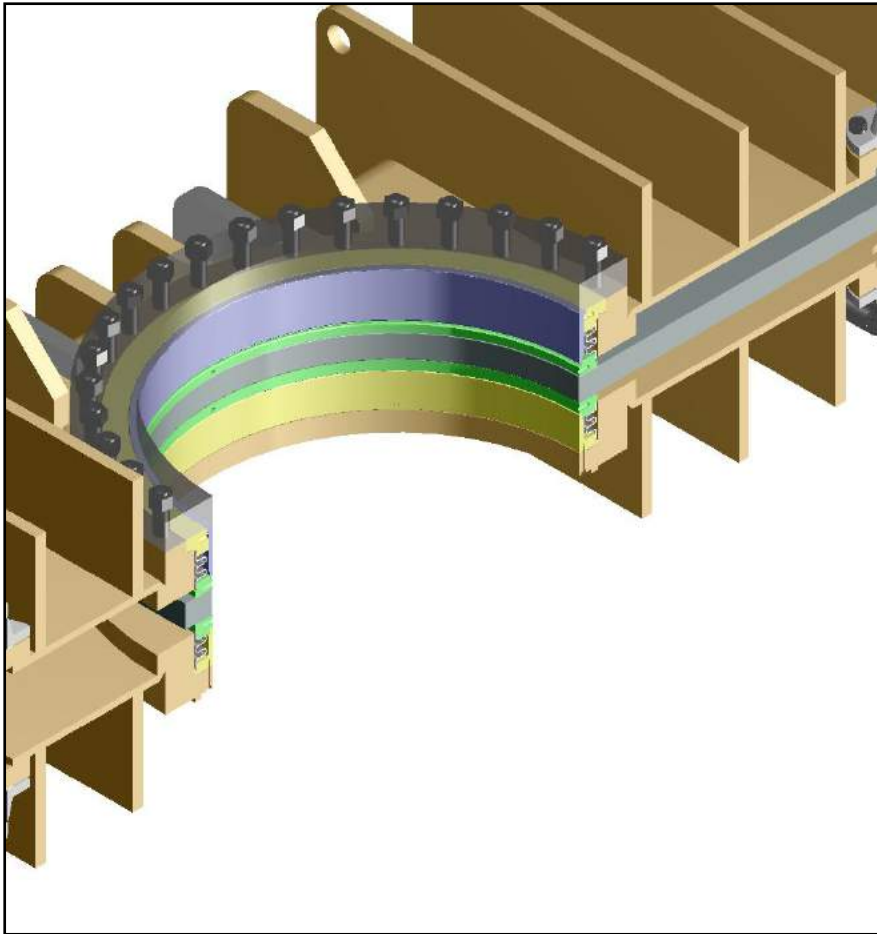


DELTA GUARD™



DeltaValve™

DELTAVALVE IS A DIVISION OF CURTISS-WRIGHT FLOW CONTROL CORPORATION



Based on DeltaGuard technology

- Double, live-loaded, dynamic, metal seats
- Designed to keep coke out of body cavity
- Steam purged body
- Low steam consumption
- Adaptable to all top head diameters
- Hydraulically actuated
- On-site maintenance
- DeltaGuide™ compatible



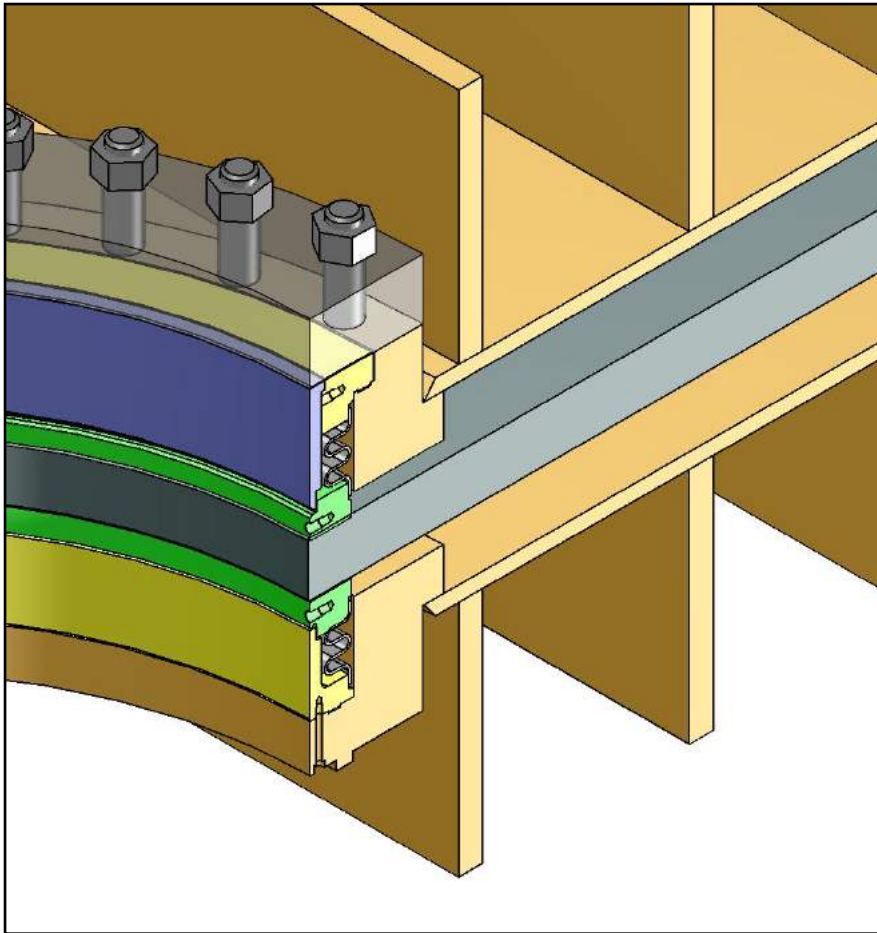


DELTAGUARD™



DeltaValve™

DELTAVALVE IS A DIVISION OF CURTISS-WRIGHT FLOW CONTROL CORPORATION



Based on DeltaGuard technology





- Double, live-loaded, dynamic, metal seats
- Designed to keep coke out of body cavity
- Steam purged body
- Low steam consumption
- Adaptable to all top head diameters
- Hydraulically actuated
- On-site maintenance
- DeltaGuide™ compatible



**DELTA**GUARD™**DeltaValve**™

DELTAVALVE IS A DIVISION OF CURTISS-WRIGHT FLOW CONTROL CORPORATION

DeltaGuard Top Units Sold

Customer	Orders	Installations	Mfg
 ChevronTexaco-Pascagoula	6	6	0
ChevronTexaco-El Segundo	6	6	0
 Suncor-Ft McMurray	2	0	2
 Petrobras-Brasil	4	0	4
 Marathon	2	0	2
TOTAL TOP UNITS	20	12	8

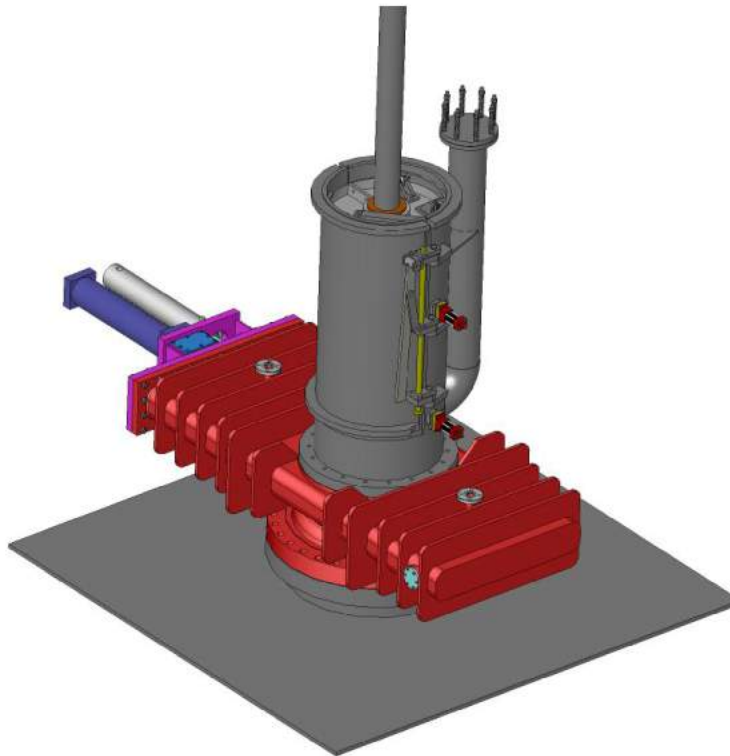


DELTA GUARD™

DeltaValve™

DELTAVALVE IS A DIVISION OF CURTISS-WRIGHT FLOW CONTROL CORPORATION

Drill Stem Guide / Blow-out Preventer



- Designed for maximum safety
- Fully enclosed head at all times
- No exposure to personnel or deck at any time
- Configurable to:
 - Contain blow-outs
 - Safely vent blow-outs
 - Guide bent drill-stems

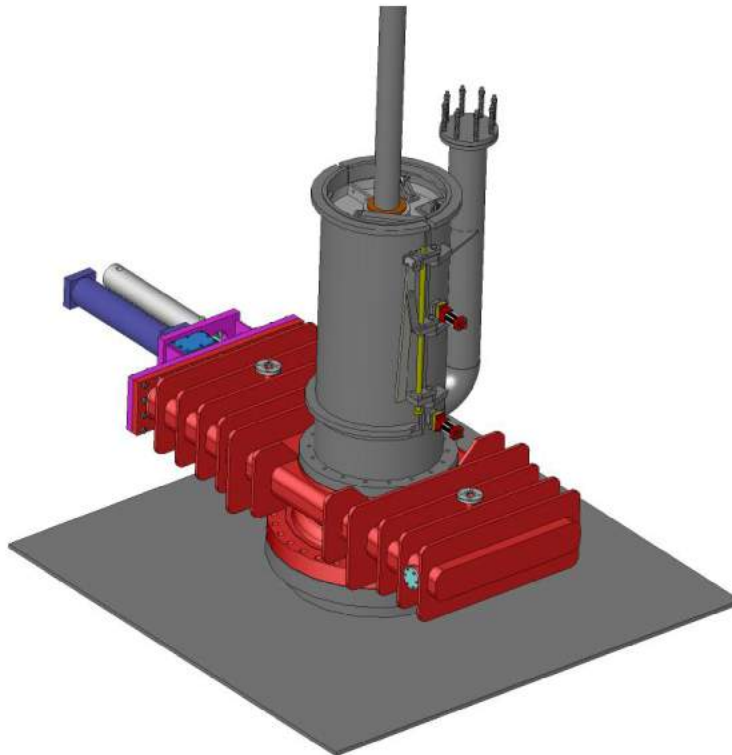


DELTAGUARD™

 **DeltaValve**™

DELTAVALVE IS A DIVISION OF CURTISS-WRIGHT FLOW CONTROL CORPORATION

Drill Stem Guide / Blow-out Preventer



- Drill-head up
- Guide closed

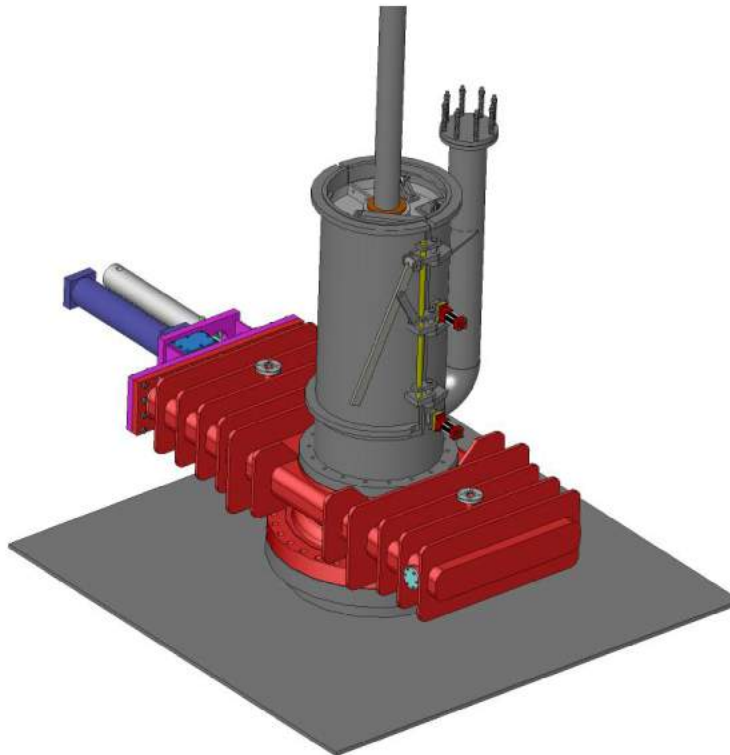


DELTAGUARD™

 **DeltaValve**™

DELTAVALVE IS A DIVISION OF CURTISS-WRIGHT FLOW CONTROL CORPORATION

Drill Stem Guide / Blow-out Preventer



- Drill-head up
- Guide-lock released

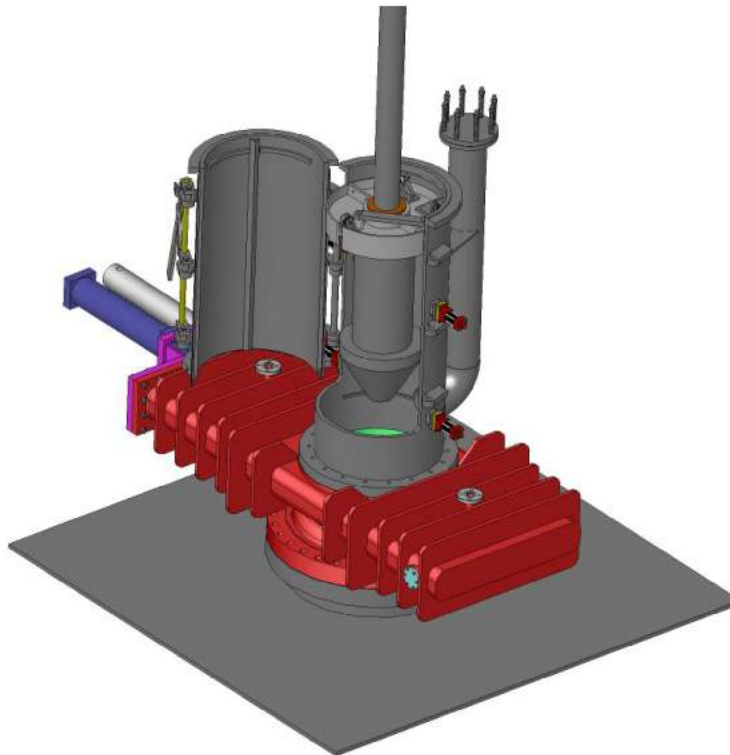


DELTAGUARD™

 **DeltaValve**™

DELTAVALVE IS A DIVISION OF CURTISS-WRIGHT FLOW CONTROL CORPORATION

Drill Stem Guide / Blow-out Preventer



- Drill-head up
- Guide enclosure open



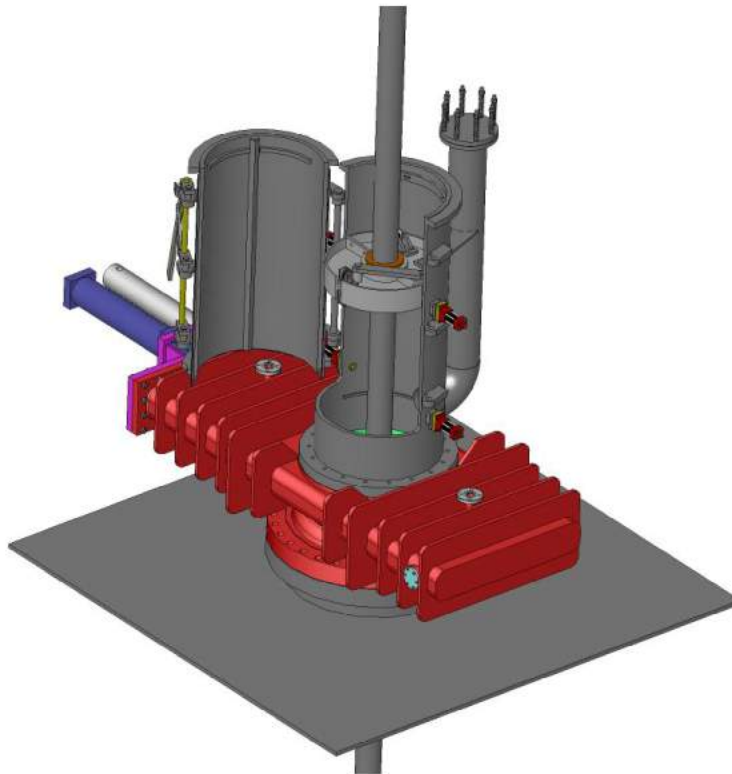
DELTAGUARD™



DeltaValve™

DELTAVALVE IS A DIVISION OF CURTISS-WRIGHT FLOW CONTROL CORPORATION

Drill Stem Guide / Blow-out Preventer



- Drill-head down
- Guide in maintenance position

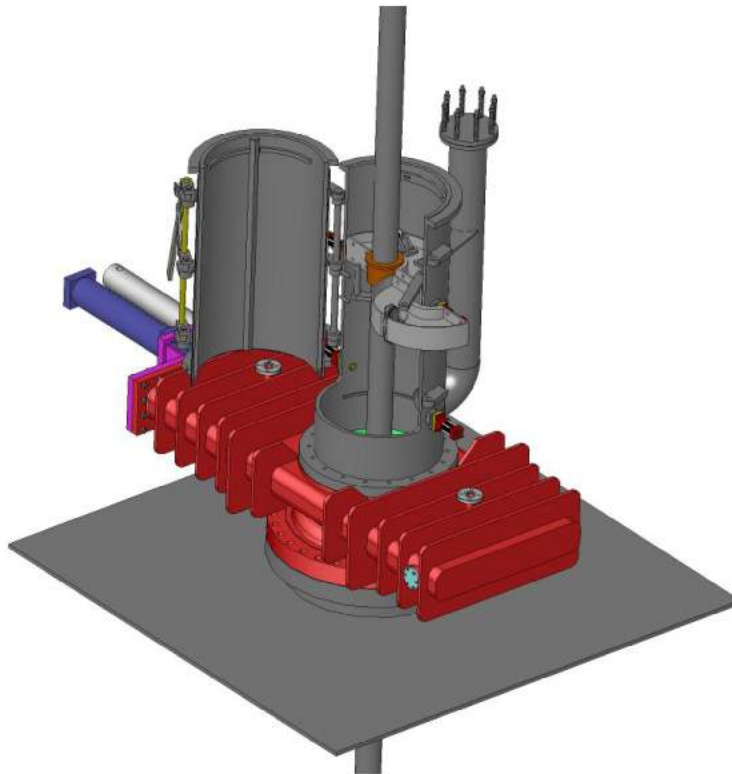


DELTAGUARD™

 **DeltaValve**™

DELTAVALVE IS A DIVISION OF CURTISS-WRIGHT FLOW CONTROL CORPORATION

Drill Stem Guide / Blow-out Preventer



- Drill-head down
- Guide open

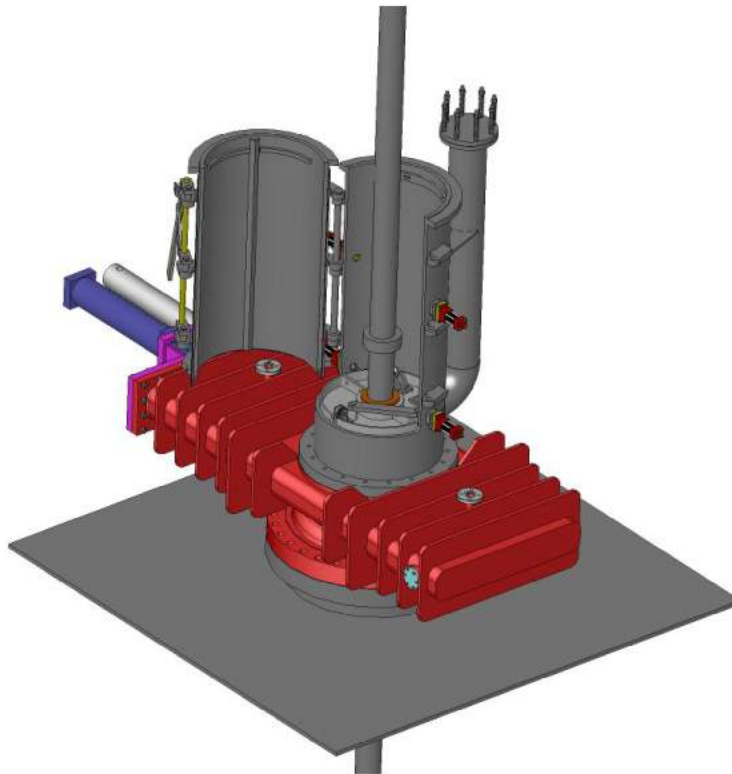


DELTAGUARD™

 **DeltaValve**™

DELTAVALVE IS A DIVISION OF CURTISS-WRIGHT FLOW CONTROL CORPORATION

Drill Stem Guide / Blow-out Preventer



- Drill-head down
- Guide in cutting position





DELTAGUARD™



DeltaValve™

DELTAVALVE IS A DIVISION OF CURTISS-WRIGHT FLOW CONTROL CORPORATION

Together we can make a difference

